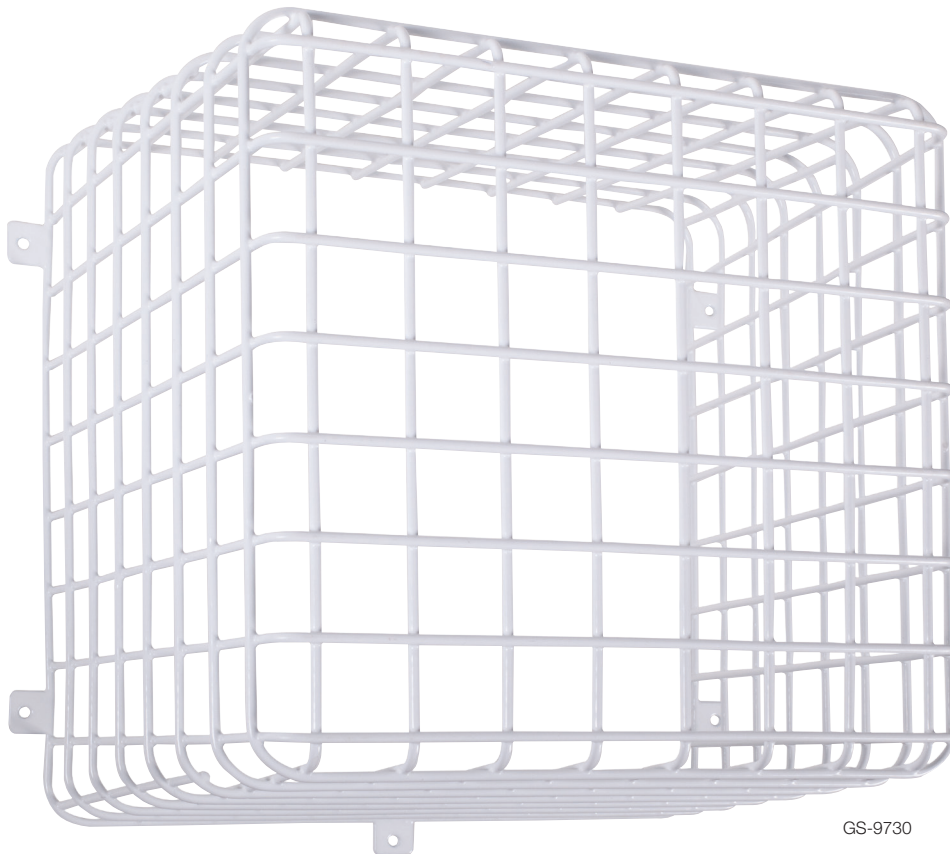


WIRE GUARD DAMAGE STOPPER®



GS-9730

PRODUCT OVERVIEW

These members of the Wire Guard Team were created in response to multiple requests from GSI customers. The GS-9729 and GS-9730 are constructed of 9-gauge steel wire coated with corrosion resistant polyester. The size and sturdy steel construction make the multi use Damage Stoppers an easy choice for protecting a wide variety of sensitive equipment.

KEY FEATURES

General Information

- Guards protect a wide variety of devices against theft and vandalism.
- May be spray painted once prior to installation to match décor.
- Three year guarantee against breakage in normal use.

Construction

- Constructed of 9-gauge coated steel wire.
- Coated with corrosion resistant polyester.

Installation

- Fast and easy installation with all screws and anchors provided.

Wire Guard Damage Stopper®

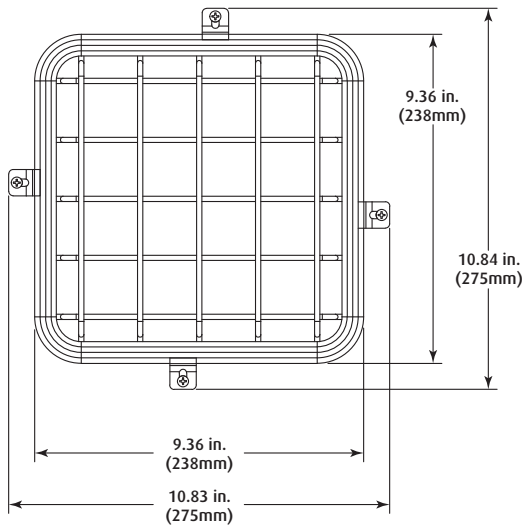
Dimensions and Technical Information

MODELS AVAILABLE

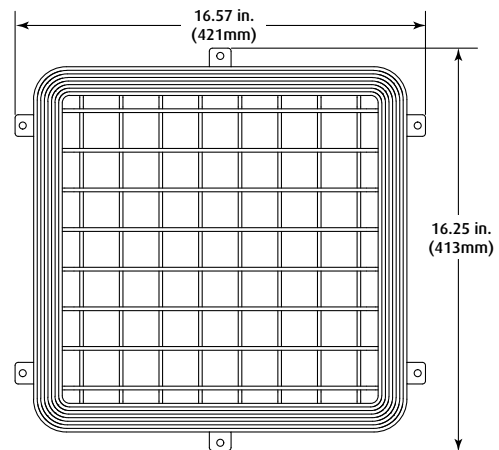
GS-9729 7 x 7 x 7"
GS-9730 12 x 12 x 12"

WARRANTY

Three year guarantee against breakage in normal use.



GS-9729



GS-9730

